



All-in-one retail demonstration unit that turns any TV into a live active display.

MyTV secures to the back of any TV by using the existing wall mounting fixture points (VESA), without the need for custom furniture and fittings. Easily transform your TVs on display into live interactive experiences allowing customers to demo the TV without the need for a member of staff.

Overview



Compatible with all TVs

No custom furniture or fittings required

Fits any size TV

Easy to install

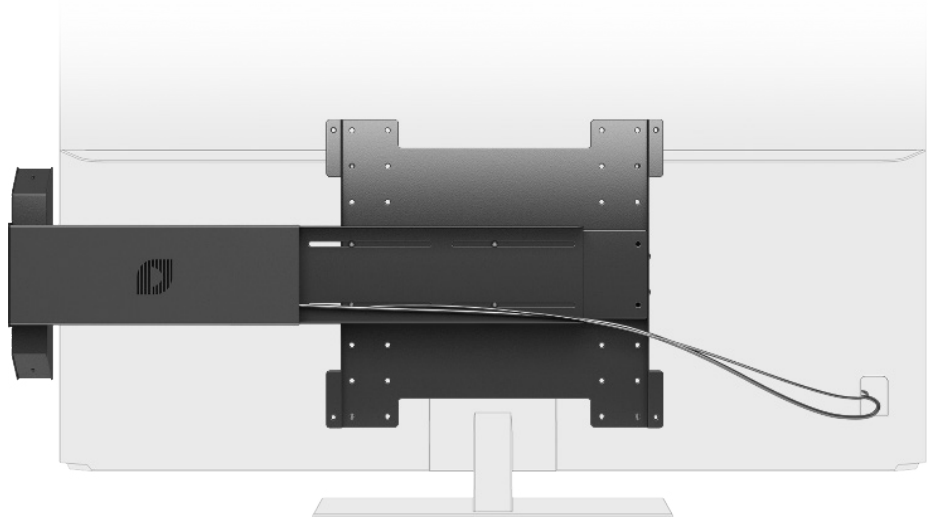
Dynamic smart push buttons

Built for 24/7



Compatible with all TVs

MyTV mounts onto the back of any TV by using the existing VESA. This means whether you are a retailer or a brand, MyTV is already compatible with all TVs and can fit into stores with mixed branded in-runs, or dedicated in-store displays.



Fits any size TV

With the extendable arm, adjustable height and large range of vesa mounts; MyTV can be perfectly suited to any TV model to create a rich customer experience.

Easy to install

It only takes 1 to transport and install. The flat pack nature of the design means MyTV can be transported and installed by only 1 person in 3 simple steps, saving time and money. As MyTV doesn't integrate within the store furniture, it can be quickly be removed and redeployed - making it perfect for short promotions as well as long term campaigns.

Customer experience

A customer focused design. Traditionally the TV demonstration consists of only a TV remote which can be too complicated and then misplaced, or an integrated button solution which is too low and uncomfortable for a customer. MyTV is better ergonomically, creating an experience which is designed to increase engagement, dwell time and sales.



Performance

Smooth 4K video playback. MyTV comes with a Quad-Core processor and 2GB of RAM to ensure the smoothest experiences. But it comes into its own when connected with the latest TV models; Delivering performance directly from the TV's intelligent processor displaying high-quality motion, colour and contrast. Supporting a wide range of formats with no compromise including Dolby Vision, Dolby Atmos, HDR10+ and more! MyTV is ready for your TV.

Dynamic smart push buttons

MyTV comes with Smart Push buttons that react to your customer's every press. The intelligent LED lighting and subtle design flashes patterns to grab attention, and then reacts to interactions, guiding the customer through their experience.

The buttons are made from high quality materials delivering durability for any retail environment. Each press has a satisfying audible feedback 'click' and light response.

Customisation

Quick and easy replaceable magnetic graphic. Expand and upgrade the look of MyTV. Whether you're adding more content, features, promotions or even a companion Soundbar, MyTV is a fully flexible solution for long term ROI and future proofing.





Accessories

Branding and promotional opportunities. Customisable POS panels can be easily attached to the side of MyTV by any staff member or promotor to make additional impact. Great for showcasing benefits, cross selling, offers and tailoring to the seasons.

Operating System

Repurpose and reuse. At the core of MyTV is our custom Operating System (OS), this defines the functionality of your display and your customers' experience. Update your existing experience or repurpose it for future TV models by simply swapping out the OS card.

Built for 24/7

Auto power up on store opening. Strong exterior, superior ventilation, auto power up on store opening, auto reset after each customer demo and a OS designed for store environments; MyTV is ready for retail and built to last.



Connections

HDMI 2: CEC control

Ethernet: Media streaming

Power: Auto power up on store opening





Processor Rockchip Quad-Core RK3288 processor

Memory 2GB Dual Channel DDR3

Size and weight H: 440 mm
W: 895 mm
D: 113 mm
Weight: 6 kg

Power 5.1V / 2.5A

In the box MyTV
VESA mount
5.1V / 2.5A International Power Adapter (1.5m)
MyPlayer OS Card



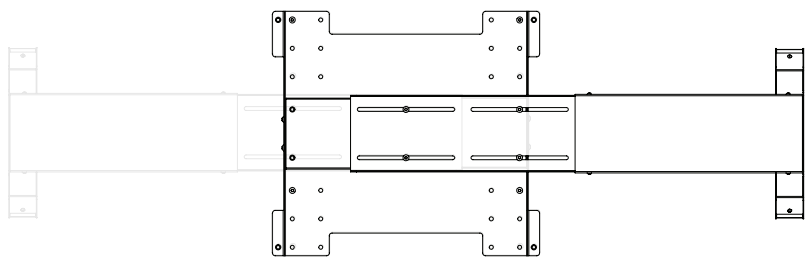
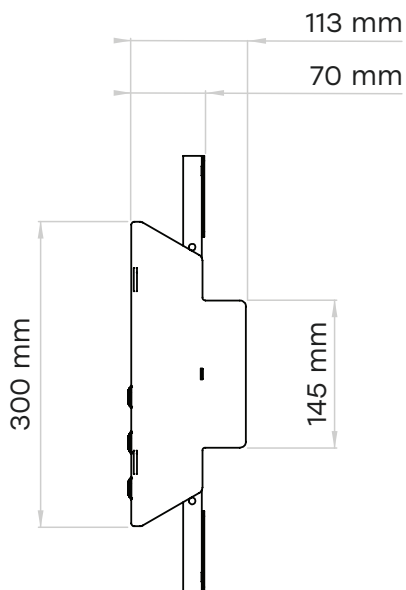
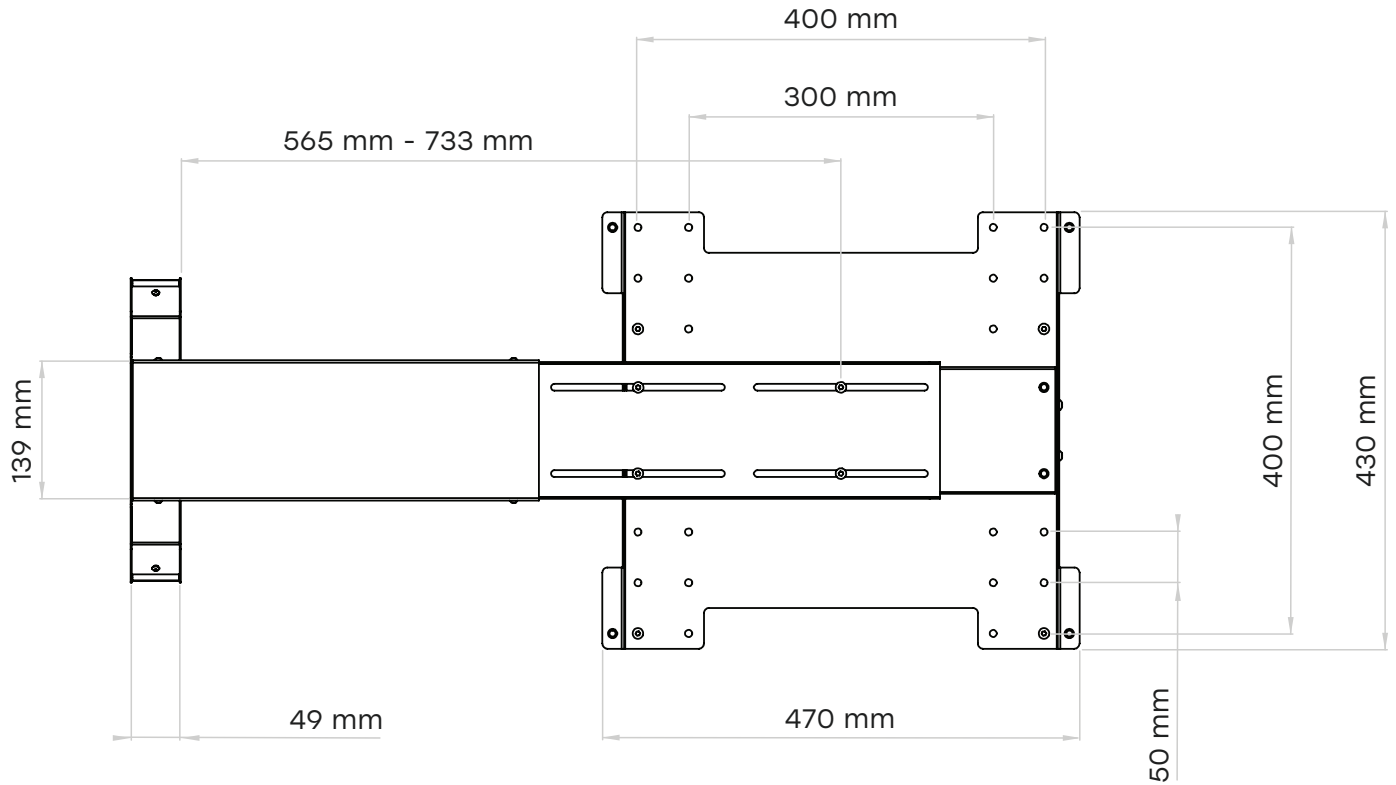
Technical

SIZE

H: 440 mm
W: 895 mm
D: 113 mm

VESA

W: 300 mm - 400mm
H: 200 mm - 400 mm
(Additional sizes available)



Mountable on either left or right